

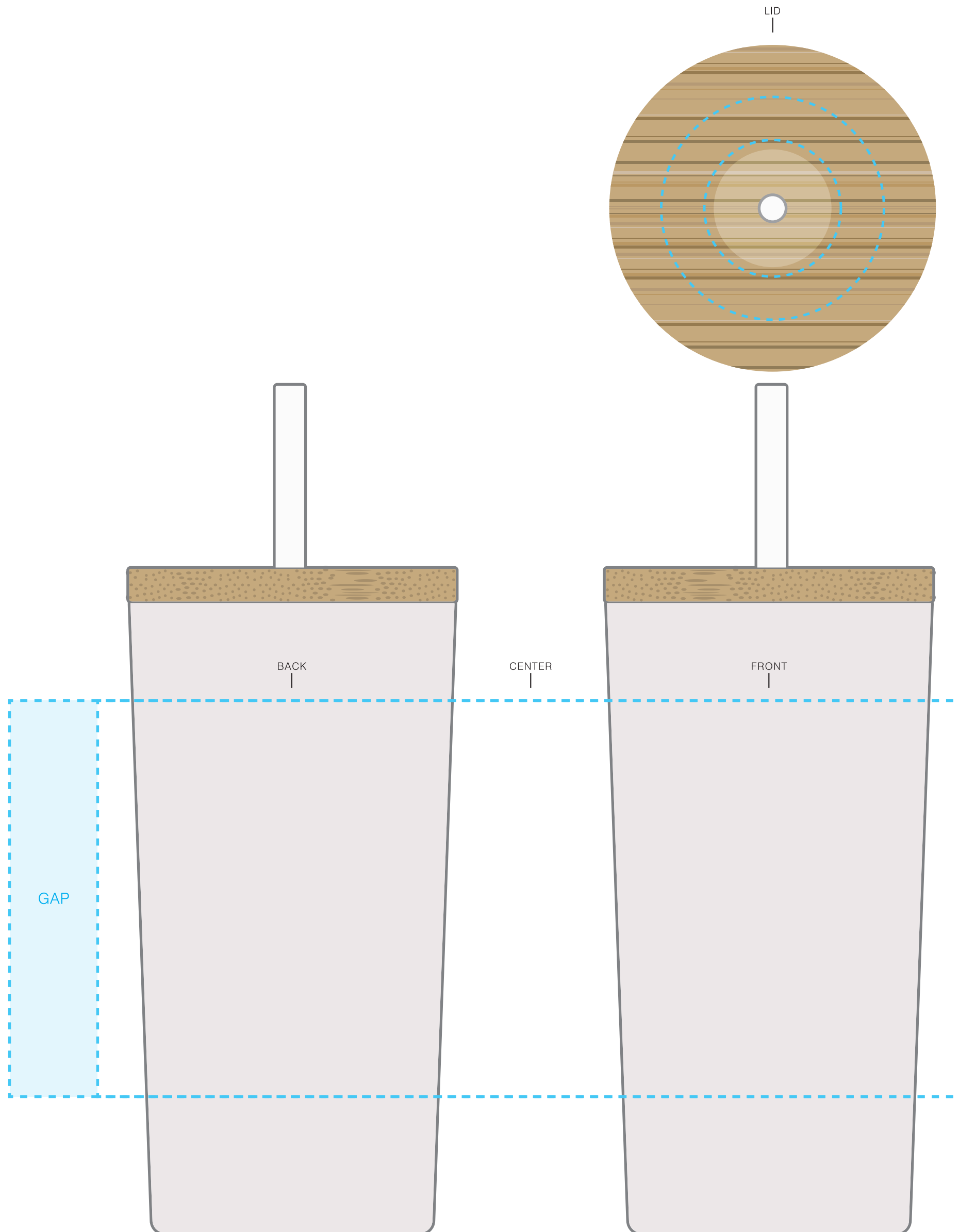
# SCREENPRINT

IMPRINT AT 100%

## INSTRUCTIONS:

1. OPEN TEMPLATE IN ADOBE ILLUSTRATOR OR YOUR PREFERRED GRAPHICS EDITOR.
2. PLACE ARTWORK IN DESIGNATED AREA.
3. SUBMIT YOUR FINAL DESIGN TO OUR VIRTUAL TEAM FOR MOCKUPS OR DIRECTLY TO OUR ORDER PROCESSING TEAM FOR PROOFS.

**\*\*CIRCLES/SQUARES WILL WARP ON TAPERED ITEM\*\***



## 16.9 OZ WREN

**AVAILABLE IMPRINT AREA** = 4" h x 3" w x 8.75" wrap  
[9.64" full wrap when printing more than one color]

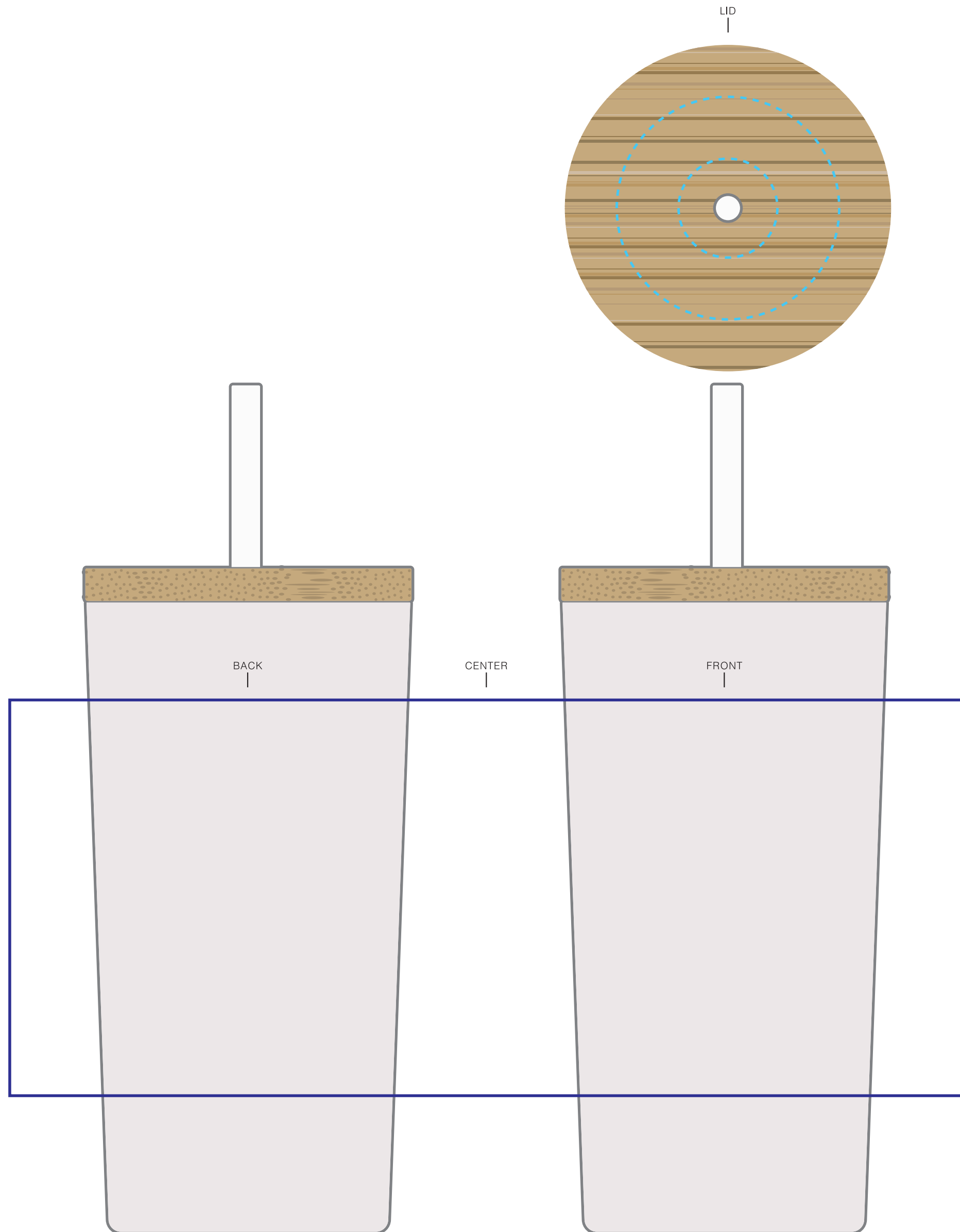
**LID SCREENPRINT ONLY IMPRINT AREA** = 2.25"  $\phi$   
[1.38"  $\phi$  hole]

## NOT A PROOF — FOR CONCEPT PURPOSES ONLY

DESIGNATE PMS# TO CORRESPONDING COLOR #. USE PMS COLORS AND OUTLINE ANY FONTS BEFORE SUBMITTING WITH YOUR ORDER.

**INSTRUCTIONS:**

1. OPEN TEMPLATE IN ADOBE ILLUSTRATOR OR YOUR PREFERRED GRAPHICS EDITOR.
  2. PLACE ARTWORK IN DESIGNATED AREA.
  3. SUBMIT YOUR FINAL DESIGN TO OUR VIRTUAL TEAM FOR MOCKUPS OR DIRECTLY TO OUR ORDER PROCESSING TEAM FOR PROOFS.
- \*\*CIRCLES/SQUARES WILL WARP ON TAPERED ITEM\*\***



**16.9 OZ WREN**

**D4 IMPRINT AREA** = 4" h x 3" w x 8.75" wrap  
**LID SCREENPRINT ONLY IMPRINT AREA** = 2.25"  $\phi$   
[1.38"  $\phi$  hole]

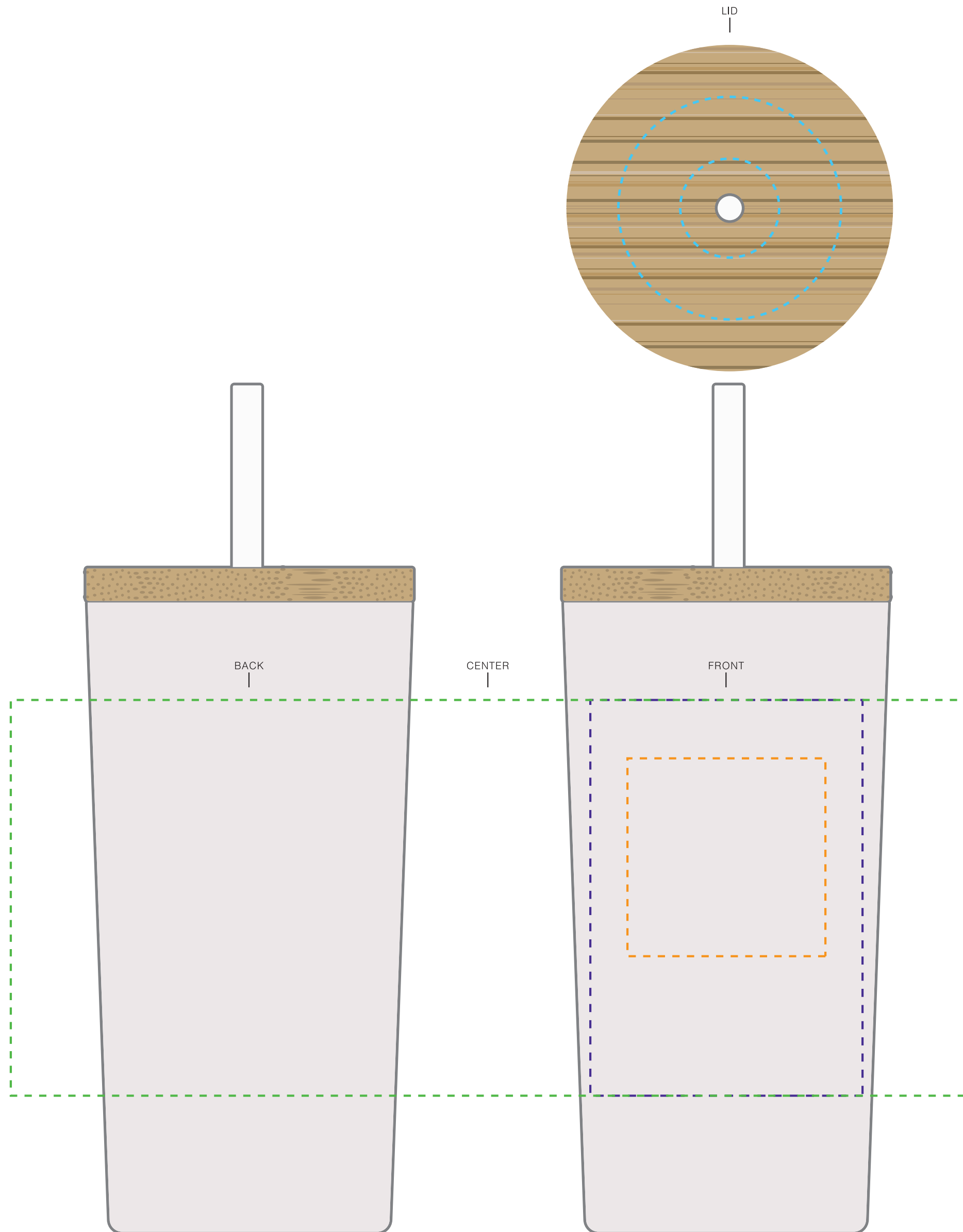
**NOT A PROOF — FOR CONCEPT PURPOSES ONLY**  
OUTLINE ANY FONTS BEFORE SUBMITTING WITH YOUR ORDER.

**INSTRUCTIONS:**

1. OPEN TEMPLATE IN ADOBE ILLUSTRATOR OR YOUR PREFERRED GRAPHICS EDITOR.
2. PLACE ARTWORK IN DESIGNATED AREA.
3. SUBMIT YOUR FINAL DESIGN TO OUR VIRTUAL TEAM FOR MOCKUPS OR DIRECTLY TO OUR ORDER PROCESSING TEAM FOR PROOFS.

**\*\*CIRCLES/SQUARES WILL WARP ON TAPERED ITEM\*\***

**\*\*LASERX NOT AVAILABLE ON STAINLESS ITEMS.\*\***



**16.9 OZ WREN**

**LASERX AVAILABLE IMPRINT AREA** = 2" h x 2" w ONE SIDE ONLY

**LASERX+ AVAILABLE IMPRINT AREA** = 5.5" h x 2.5" w

**LASERX360 AVAILABLE IMPRINT AREA** = 5.5" h x 2.75" w x 8.68" wrap

**LID SCREENPRINT ONLY IMPRINTAREA** = 2.25"φ

[1.38"φ hole]

**NOT A PROOF — FOR CONCEPT PURPOSES ONLY**

OUTLINE ANY FONTS BEFORE SUBMITTING WITH YOUR ORDER.